

GRK-50 Concealed Hinge

Features

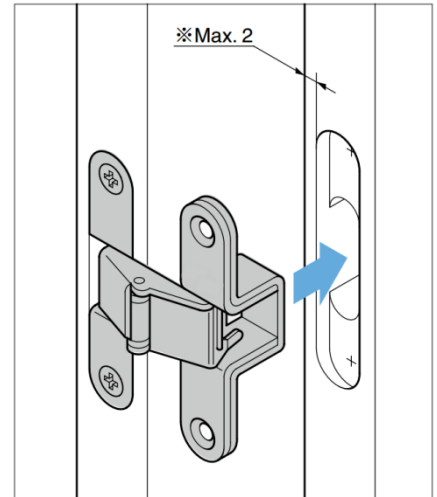
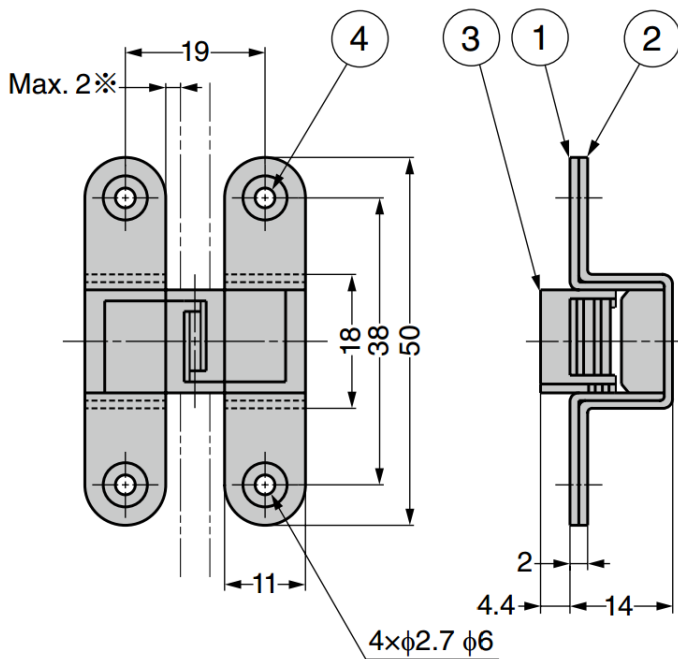
- High corrosion resistance with stainless steel build
- Suitable for light door applications
- Passed 40,000 life cycle test

Notes

- When increasing the board thickness, be sure to keep the dimensions of ※marked on below drawings and increase the remaining margins on the opposite side.
- Recommended for use in pairs

Parts Included

- Countersunk head wood screw 2.4×13 (SUS)



※Distance to door edge must be less than 2mm.

No.	Part Name	Material	Finish
①	Body	Stainless Steel (SUS304)	Satin
②	Cover		Plain
③	Arm		Satin
④	Eyelet		Plain
-	Other Shaft Parts		

Part No.	Door Width	Door Height	Door Thickness	Door Weight	Opening Angle
GRK-50	Max. 450	Max. 700	Min. 15	Max. 2.6 kg / 2 pcs	180°